

# CHR EFSNK BN TO

## CHERRY Tap Range Cherry Easyfit Sink Mixer Brushed Nickel Tap Only



### Specification

Product Type:	Kitchen Taps
Main Construction Material:	Brass
Mount Type:	Deck Mounted
Handle Type:	Lever Handle
Connection Inlet:	1/2" BSP Flexible Tails
Connection Outlet:	Flow Straightener
Number of Tap Holes:	1
Valve/Cartridge Type:	35mm Cartridge
Plumbing System Requirements:	Suitable for all plumbing systems
Minimum Dynamic Pressure:	0.3
Maximum Dynamic Pressure:	5.0
Maximum Hot Water Temperature: °C	65
Maximum Static Pressure: (bar)	10
Flow Type:	Single Flow
Isolation Included:	Yes

### Features:

- Long life ceramic cartridge for added durability and ease of use
- Product supplied without Easyfit base
- Minimum working pressure of 0.3 bar

### Product Certifications:



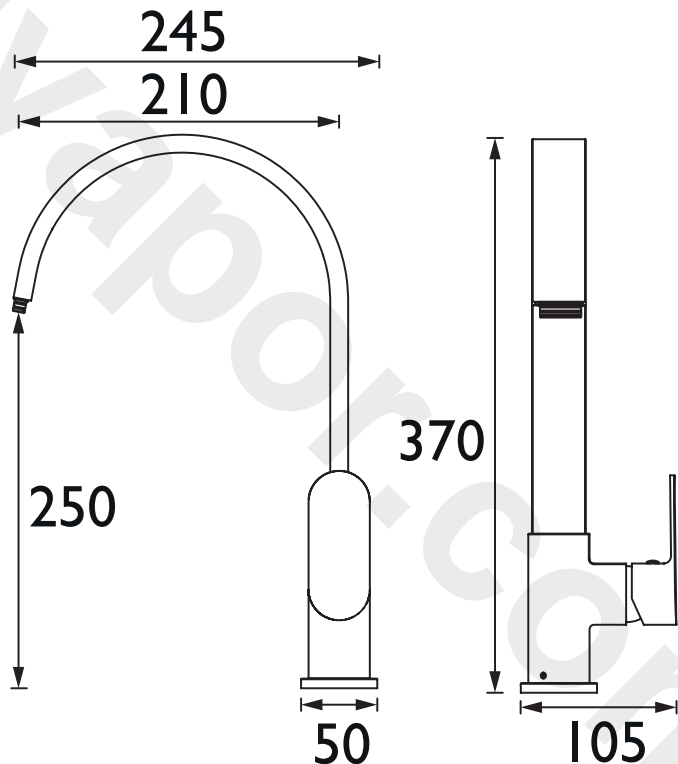
WRAS Cert. Number: 2006906  
WRAS Expiry Date: 30/06/2025



For more products, visit our website:  
<http://www.bristan.com>



### Dimensions (measurements in mm)



### Flow Rates (l/min)

System Pressure (bar)	0.3	0.5	1	2	3	5
CHR EFSNK BN TO	6	7.7	10.9	15.5	18.9	24.5

TECHNICAL  
DATA  
SHEET



**BRISTAN**